



® *Light Engineered Displays, Inc.*

Graphic Annunciators \* Water Leak Detection  
Fireman's Smoke Control Panels \* ARA Systems

109 Portwatch Way Wilmington, N.C. 28412 Phone: (800) 251-2512 Fax: (800) 251-9878  
Internet: www.ledinc.com Email: sales@ledinc.com

MNS-CNTRL  
8-Input Controller

MNS  
SERIES

## MASS NOTIFICATION SYSTEM SERIES

### Features

- Dark transparent front for viewing indicators
- Operates at 24vdc
- Low power consumption
- Hinged door with key-operated lock
- Gasketed door to minimize corrosion
- Intended for dry to damp locations.

### Technical Specifications

1. Operating Voltage - 24 vdc
2. Operating current:  
MNS-8CNTRL - 83ma / MNS-16CNTRL - 123ma
3. Alarm current - each activated input adds 6ma
4. Operating Temperature - 32 - 100f (0-38c)
5. Message Activation - Dry Contact Closure
6. Communication with signs - RS-485 data

### General System Operation

The MNS-CNTRL series by LED is used as an interface between an alarm panel or voice evacuation panel and the Visual Mass Notification displays located within a facility. Messages are programmed into the system through a standard USB port located inside the controller. Messages are activated by closing a dry contact across the associated terminals inside at the bottom of the enclosure. The system is factory configured for 8, 16, 24 or 32 message capability. Messages can be programmed in the field with an ordinary laptop running Windows, connected by a standard USB cable. Messages can also be programmed the factory as a convenience to our customers.

Normal system operation is indicated by an amber flashing LED. Each activated message will be indicated by a lighted LED, corresponding to the message number. When activated by your contact closure, the controller will send a command to the signs to display the selected message.





® Light Engineered Displays, Inc.

Graphic Annunciators \* Water Leak Detection  
Fireman's Smoke Control Panels \* ARA Systems

109 Portwatch Way Wilmington, N.C. 28412 Phone: (800) 251-2512 Fax: (800) 251-9878  
Internet: www.ledinc.com Email: sales@ledinc.com

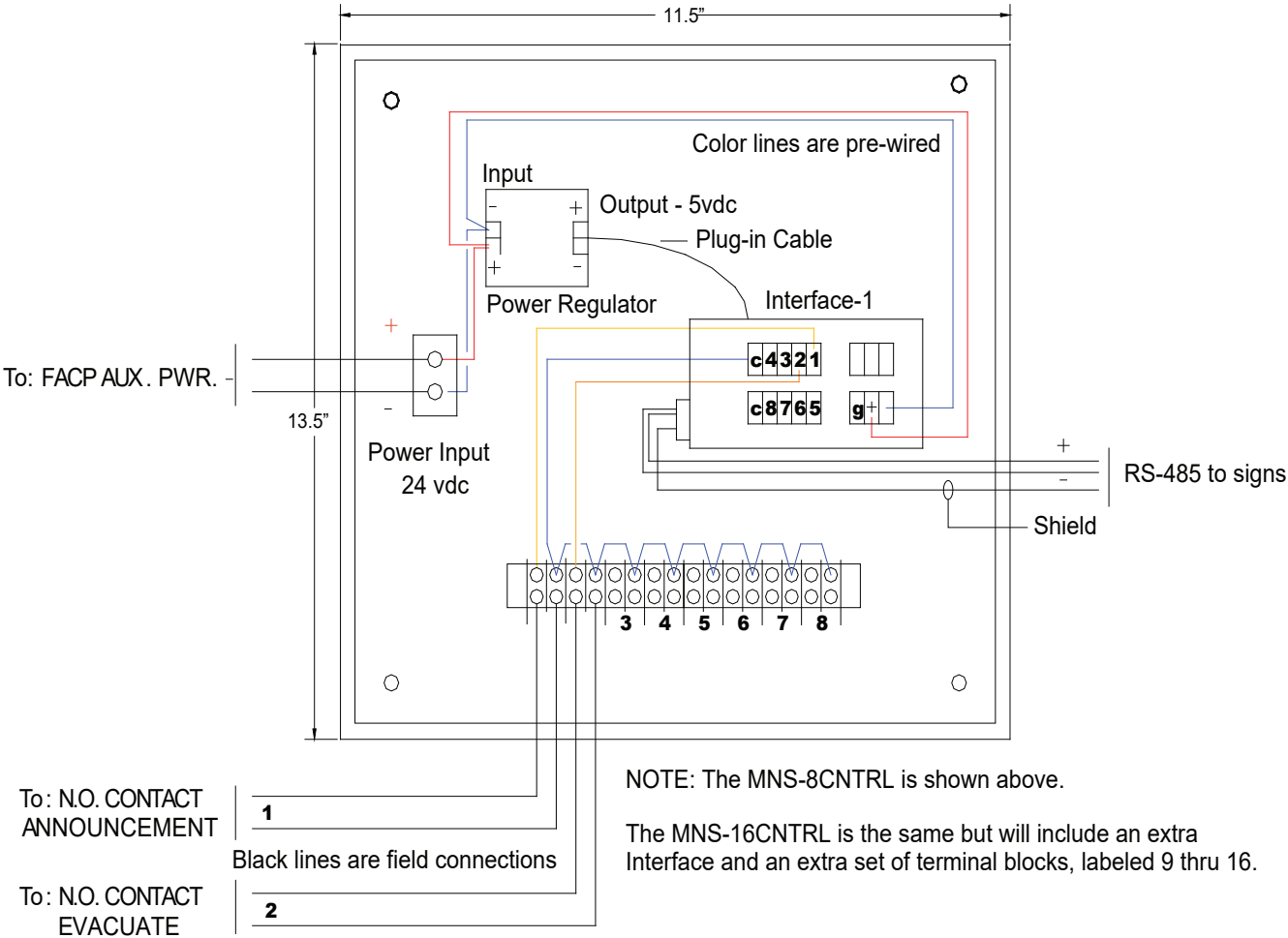
MNS-CNTRL  
Controller Wiring

MNS  
SERIES

# MASS NOTIFICATION SYSTEM SERIES

## READ THIS PRIOR TO INSTALLATION

Enclosure is provided with mounting hardware and instructions.  
Enclosure is 6.5" deep with a key operated door.



### RS485 Network Specifications

- Cable shall be 24 gauge Stranded wire, twisted pair, shielded with drain.
- Wiring to all MNS signs must be daisy chained. T-taps are not allowed.
- Maximum number of signs on a single network shall be no more than 32.
- Maximum length of data cable on a single network shall be no more than 4000 feet.
- The last sign on a network must terminate with a factory supplied 120 ohm resistor.
- Refer to sign documentation for specific termination requirements.