



Light Engineered Displays, Inc.

## Visual Mass Notification Systems

MNS-Supervisor

### **General Description**

The MNS Supervisor is designed for use with Light Engineered Display's visual Mass notification systems. This system consists of an MNS controller w/ multiple MNS-scrolling message centers. The controller is connected to the signs via a dedicated RS-485 data line. The MNS-controller facilitates programming and operation of the signs. For an accurate time display, the controller sends a time update signal to all the signs, once a minute, every minute. This "heartbeat" can be monitored to insure that the data loop is functional.

The MNS-Supervisor is a device that can be installed at the end of the line as the last RS-485 device. This supervisory device is mounted inside a small enclosure where it receives our controller's time signal, once a minute. As long as the signal is received, the system is OK. If this signal is not received, the Supervisor considers this to be a system fault and will close a contact. This dry contact is connected to your input module. At your FACP, you will program your input module as a supervisory device with a message similar to the example below.

*"Visual Mass Notification system - RS-485 TROUBLE"*

Usually there is enough room for your input device to be mounted in our enclosure. The device can also be powered by your FACP making it easy to connect and monitor. Approximate enclosure size is: 7-3/8" x 5" x 3-3/4"

### **Additional Information**

There are several reasons that the time signal is not received Supervisor. An RS-485 TROUBLE condition might indicate that the data cable has been damaged by an open or short circuit. It may indicate that the controller has been left in the Pass-Thru mode after programming messages, or it may mean the controller has lost power. Regardless, the Supervisor alerts personnel so that corrective action can be taken.

**Current draw at 24vdc is less than 50ma.**

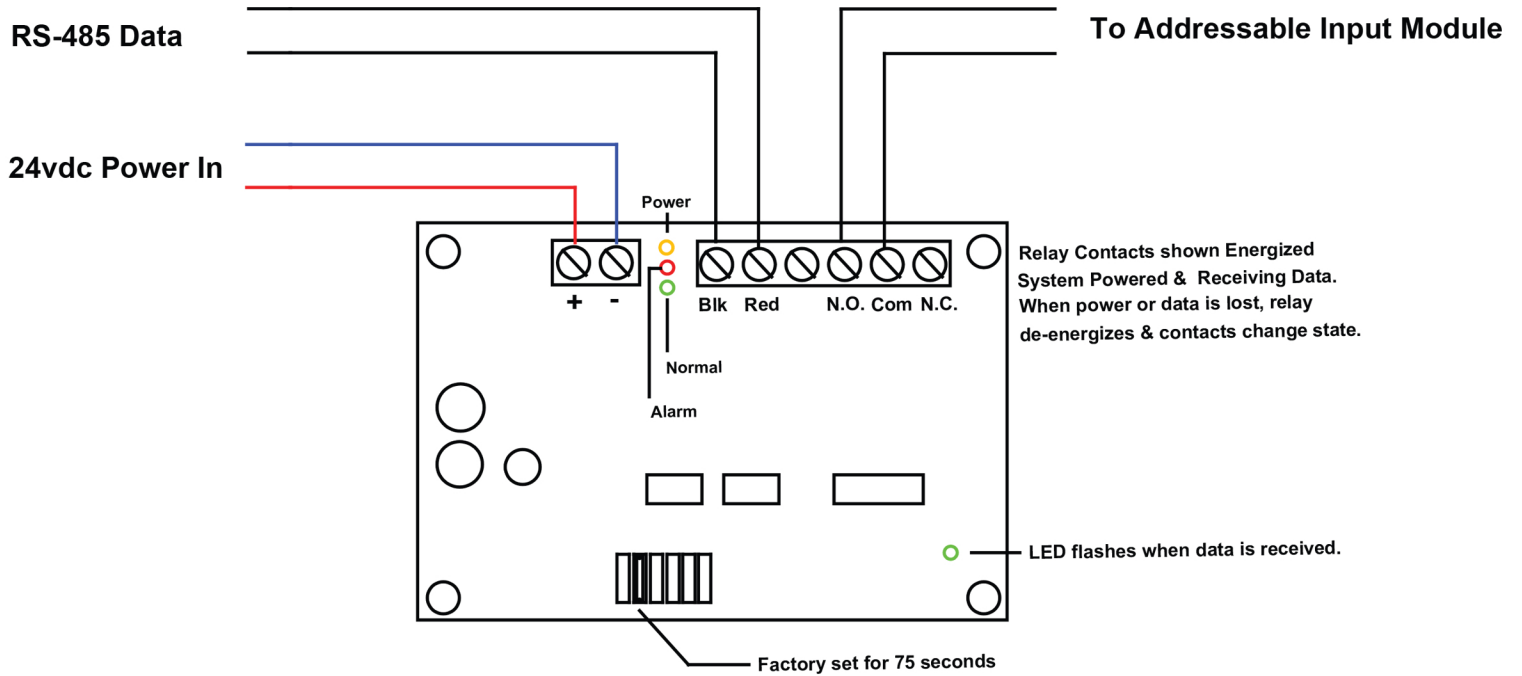


Light Engineered Displays, Inc.

Visit us online at: www.ledinc.com

e-mail: sales@ledinc.com

Graphic Annunciators • Water Leak Detection • Smoke Override Panels • MNS Systems



**ADDENDUM: NEW SUPERVISOR DIAGRAM 26-SEP-2019**

LED recommended Test Procedure for the MNS-Supervisor circuit.  
Simply remove the RS-485 data plug from the controller output.  
After 2 minutes, the Supervisor contact changes state to report the loss of data.  
Once the loss of data is confirmed, re-insert the data-cable plug into the controller.